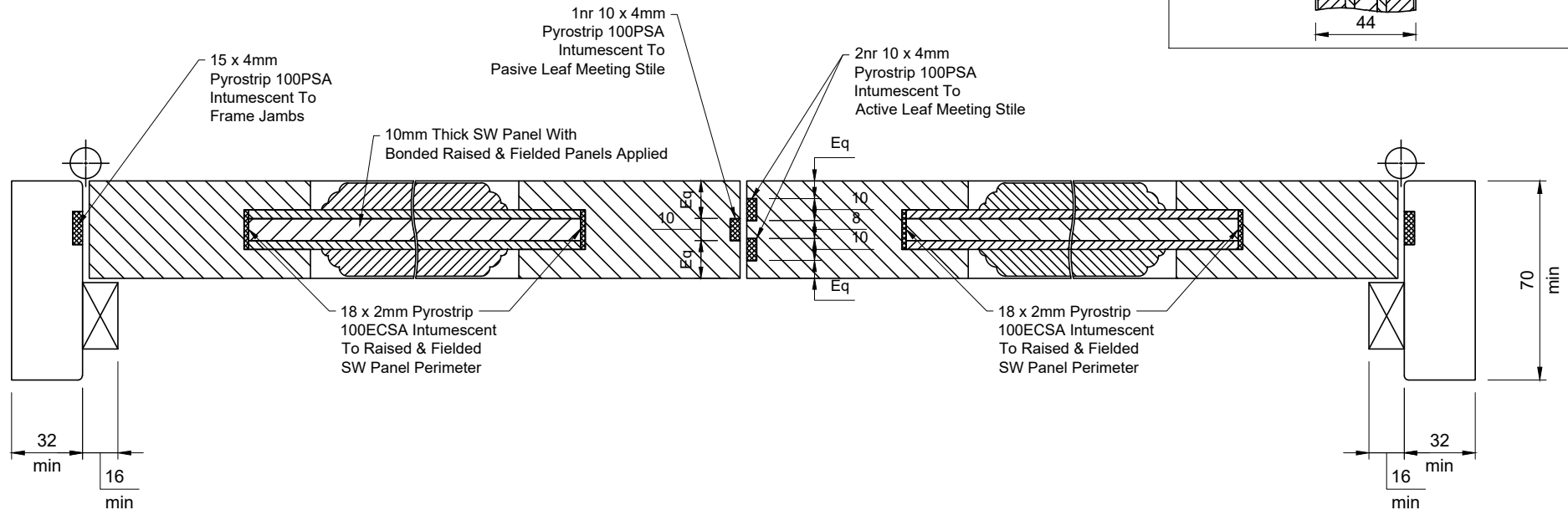
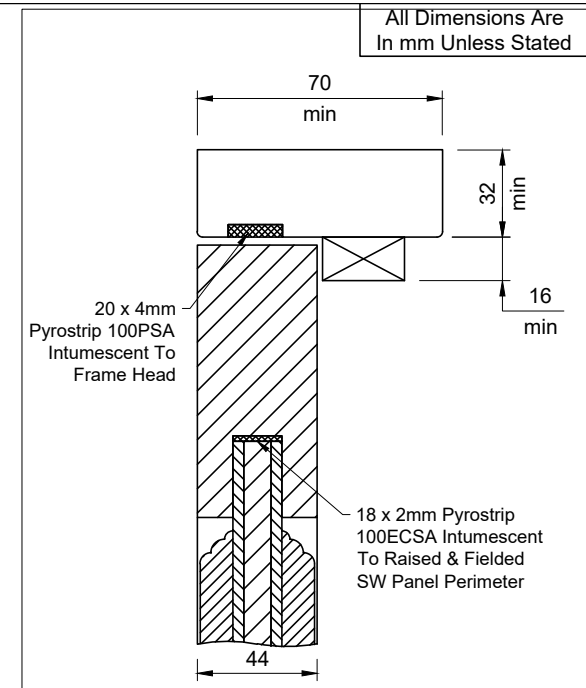


Notes:


- For Further Details See Technical Datasheet & Field of Application Report PAR/24514/01
- Stile & Rail Minimum Dimensions Vary By Material Type
- Details Noted Are For Raised & Fielded Panel Door Leaves Only
- All Intumescent Materials & SW Panels By Mann McGowan Ltd
- Architraves Are Required On All Door Installations
- See Seperate Drawings For Glazing Details
- See Technical For Full Specification Check Prior To Quotation



Do Not Scale.

If In Doubt Ask!

Description: **General Section - SW Raised & Fielded Panel Doors - FD30**

Drawn By: P. Brash	Approved: Approved	Revision:	Cert / FoA Ref: PAR/24514/01	Date: 15/05/2026	Drawing No: DP25081
Size: See Above	Tolerance: +/- 0.25mm		Fire Rating: FD30		Rev 00
Job No:	© Doorpac Ltd				 <small>Unit 6, Ranskill Court, Sheffield, S9 9FZ</small>